

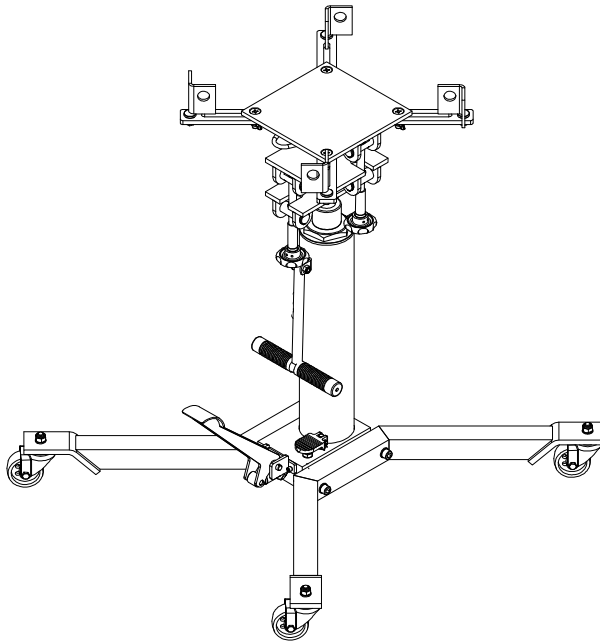


Telescopic Transmission Jack

Operating Instructions & Parts Manual

Model Number
Atd-7432

Capacity
1000 Lb.



This is the safety alert symbol. It is used to alert you to potential personal injury hazards. Obey all safety messages that follow this symbol to avoid possible injury or death.

Atd Tools Inc.
160 Enterprise Drive, Wentzville MO 63385

Printed in China
ATD7432-M0 10/07

SAFETY and GENERAL INFORMATION

Save these instructions. For your safety, read, understand, and follow the information provided with and on this jack. The owner and operator shall have an understanding of this jack and safe operating procedures before attempting to use. The owner and operator shall be aware that use and repair of this product may require special skills and knowledge. Instructions and safety information shall be conveyed in the operator's native language before use of this jack is authorized. If any doubt exists as to the safe and proper use of this jack, remove from service immediately.

Inspect before each use. Do not use if broken, bent, cracked, or damaged parts (including labels) are noted. Any jack that appears damaged in any way, operates abnormally or is missing parts, shall be removed from service immediately. If the jack has been or suspected to have been subjected to a shock load (a load dropped suddenly, unexpectedly upon it), immediately discontinue use until jack has been checked by an Atd Tools authorized service center (contact distributor or manufacturer for list of Authorized Service Centers). It is recommended that an annual inspection be done by qualified personnel. Replace worn or damaged parts and assemblies with Atd Tools Authorized Replacement Parts only. Labels and Operator's Manuals are available from manufacturer.

PRODUCT DESCRIPTION

Atd Tools Hydraulic Transmission Jack is designed to be used as an aid in the removal and installation of automotive and light truck transmissions, transfer cases and transaxles. It is intended for use under an overhead lift or in a garage pit.



Do not use for any purpose other than those uses outlined above.

SPECIFICATIONS

Model	Capacity	Min. Height	Max. Height	Saddle Base	Extended Saddle Area	Jack Size (L x W)	Net Weight
Atd-7432	1000-lb	36"	73"	9 7/8" x 9 7/8"	18 1/2" x 18 1/2"	34 1/2" x 34 3/8"	141 lb.

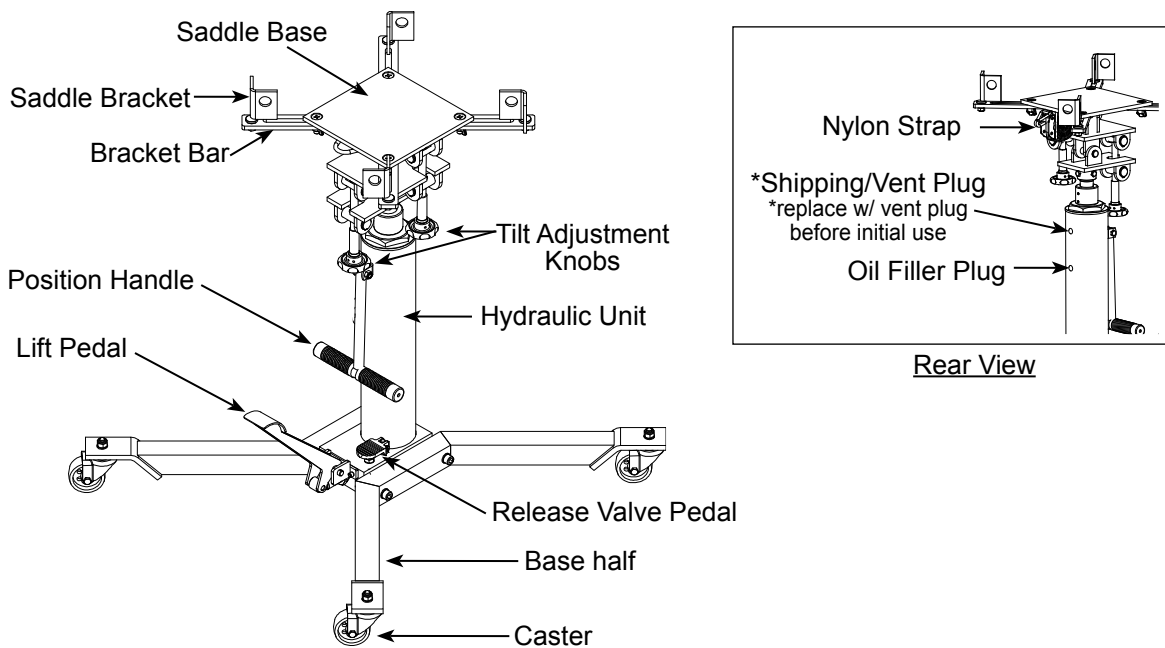


Figure 1 - Transmission Jack Components

ASSEMBLY (Refer to Figure 1)

Estimated Assembly Time:

20 minutes.

Tools Required for Assembly:

A big Philips Screwdriver, 19mm wrench, socket wrench and torque wrench.

1. Package contents:
 - (a) Hydraulic unit,
 - (b) Saddle unit,
 - (c) Base half 2 pieces,
 - (d) Caster 4 pieces,
 - (e) Saddle bracket & bracket bar 4 sets,
 - (f) Position handle, and
 - (g) hardware
2. Attach all four casters to the base halves and secure with washers and M12 locknuts.
3. Attach either one of the two base halves to the base of the hydraulic unit, then secure using M12x70 bolts and lock washers. Apply the same procedure to the other base half. Use torque wrench to tighten to 30 lb.ft.. Do not overtighten.
4. Attach the position handle onto Hydraulic unit with M10x40 bolt and locknut.
5. Position the saddle unit above the ram plunger, place the saddle socket onto the ram plunger. Secure with two M12x20 bolts provided.
6. Secure all four bracket bars to the saddle with M12x40 screws and wing nuts. Then attach saddle brackets onto the bracket bars with M10 nuts.

BEFORE USE

1. Verify that the product and the application are compatible, if in doubt call Atd Tools Technical Service (636)327-9050.
2. Before using this product, read the operator's manual completely and familiarize yourself thoroughly with the product, its components and recognize the potential hazards associated with its use.
3. Press the release valve pedal, ensure that saddle is fully lowered. Remove shipping plug (shipping plug is located above the oil filler plug). Ensure oil level is just below the rim of the oil filler hole. **Reinstall** with **vent plug** provided.
4. Check to ensure that jack rolls freely, that the pump and release valve operate smoothly. Raise and lower the unloaded jack throughout the advertised lift range before putting into service.
5. Replace worn or damaged parts and assemblies with Factory Authorized Replacement Parts only. Lubricate as instructed in Maintenance Section.

WARNING


- Study, understand, and follow all printed materials provided with/on this product before use.
- Do not exceed rated capacity.
- Use only on hard, level surface.
- Use of this jack is limited to the removal, installation and transportation of transmissions, transfer cases and transaxles. Do not use a transmission jack to tilt or support a vehicle.
- Use only the saddle assembly to lift. Never use any other part of the jack as a lifting surface.
- Ensure the center gravity of load is centered on the saddle.
- For your safety, do not exceed 10 degree tilt angle of the saddle assembly in all directions.
- Adequately support the vehicle before servicing.
- Use only strap, attachments and/or adapters supplied by the manufacturer.
- If loaded jack must be moved, make sure that the load is secured, stable and in lowest position.
- This is a lifting device only.
- Transfer load immediately to appropriate support device for service or repair.
- Shock loads may cause the sudden loss of load and/ or cause the jack to tip or flip over violently, bend or break.
- No alterations shall be made on this product.
- Failure to heed these markings may result in personal injury and/or property damage.


WARNING



To avoid crushing and related injuries:
NEVER work on, under or around a load supported only by transmission jack. Immediately transfer the load to an appropriate support device.

OPERATION

 *Ensure the transmission is centered on the jack. An off-center transmission could cause the jack to tip over resulting in personal injury or property damage. For your safety, do not exceed 10 degree tilt angle of the saddle assembly in all directions.*

 *Keep safety strap secured. Be sure all tools and personnel are clear before lowering load.*

Raise saddle:

1. Pump lift pedal until saddle reaches desired position.
2. Follow vehicle manufacturers recommended procedures for removing the load as outlined in vehicle service manual or repair guide.
3. Secure load with nylon strap.
4. Ensure load's center of gravity is centered on the saddle, load is stable and in lowest position before moving jack.

Lower saddle:

1. Slowly, gently apply downward pressure to the release valve pedal until the load is completely lowered.
2. Immediately transfer the load to an appropriate repair fixture.

MAINTENANCE

Important: Use only good grade hydraulic jack oil. Avoid mixing different types of fluid and NEVER use brake fluid, turbine oil, transmission fluid, motor oil or glycerin. Improper fluid can cause premature failure of the jack and the potential for sudden and immediate loss of load. Mobil DTE 13M or equivalent recommended.

Adding oil

1. With saddle fully lowered, set jack in its upright, level position. Remove oil filler plug.
2. Fill until oil is level with the filler plug hole, reinstall oil filler plug.

Changing oil

For best performance and longest life, replace the complete fluid supply at least once per year.

1. With saddle fully lowered, set jack in its upright, level position. Remove the oil filler plug.
2. Lay the jack on its side and drain the fluid into a suitable container.

Note. Dispose of hydraulic fluid in accordance with local regulations.

3. Set jack in its level, upright position and fill with oil until just below the rim of the oil filler hole. Reinstall the oil filler plug.

Lubrication

A periodic coating of light lubricating oil to pivot points, axles and hinges will help to prevent rust and assure that wheels, casters and pump assemblies move freely.

Cleaning

Periodically check the pump piston and ram for signs of rust or corrosion. Clean as needed and wipe with an oily cloth.

Note: Never use sandpaper or abrasive material on these surfaces!

Storage

When not in use, store the jack with saddle in lowest position.

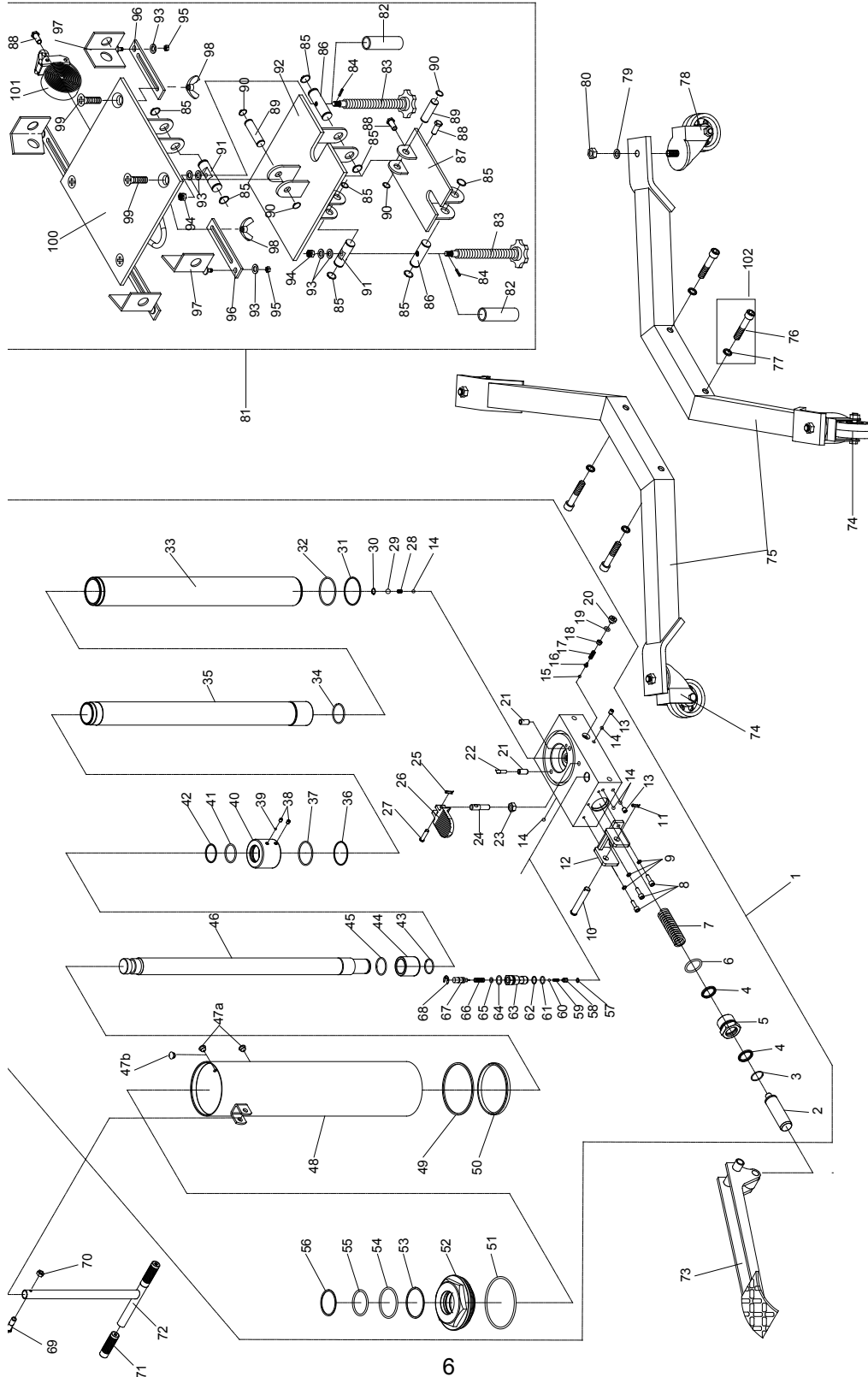
TROUBLESHOOTING

Symptom	Possible Causes	Corrective Action
Jack will not lift load	<ul style="list-style-type: none">• Overload condition• Hydraulic unit malfunction	<ul style="list-style-type: none">• Remedy overload condition• Contact Atd Tools Tech. Service
Jack will lift, but not maintain pressure	<ul style="list-style-type: none">• Overload condition• Hydraulic unit malfunction	<ul style="list-style-type: none">• Remedy overload condition• Contact Atd Tools Tech. Service
Jack will not lower after unloading	<ul style="list-style-type: none">• Reservoir overfilled• Linkage binding	<ul style="list-style-type: none">• Ensure load is removed, then drain fluid to proper level• Clean and lubricate moving parts
Poor lift performance	<ul style="list-style-type: none">• Fluid level low	<ul style="list-style-type: none">• Ensure proper fluid level
Jack will not lift to full extension	<ul style="list-style-type: none">• Fluid level low	<ul style="list-style-type: none">• Ensure proper fluid level

REPLACEMENT PARTS

Not all components of the jack are replacement items, but are illustrated as a convenient reference of location and position in the assembly sequence. When ordering parts, give Model number, part number and description below. Call or write for current pricing: Atd Tools Inc. 160 Enterprise Drive, Wentzville, MO 63385. Tel:(636)327-9050 Fax:(636)327-9044

Replacement Parts for Model Atd-7432



Replacement Parts List for Model Atd-7432

Item	Part No.	Description	Qty
1	G390-10000-000	Hydraulic Unit	1
2	G390-15001-000	Pump Piston	1
3	N/A	Retaining Ring	1
4	*	U-cup	2
5	G390-15002-000	Pump Piston Guide	1
6	*	O-ring	1
7	G390-10004-000	Spring	1
8	5105-06020-000	Socket Head Screw, M6x20	3
9	N/A	Lock Washer	3
10	5405-12070-000	Pin	1
11	5405-02028-000	Retaining Pin	1
12	G390-16000-000	Pedal Bracket	1
13	N/A	Set Screw	2
14	5601-00635-000	Steel Ball	5
15	N/A	Steel Ball	1
16	N/A	Spring Cap	1
17	N/A	Safety Spring	1
18	N/A	Screw	1
19	*	O-ring	1
20	N/A	Bolt Plug	1
21	N/A	Collar	2
22	G251-20008-000	Filter	1
23	5202-00010-000	Nut, M10	1
24	G390-10006-000	Spindle	1
25	5405-02018-000	Retaining Pin	1
26	G390-10005-000	Release Pedal	1
27	5405-07027-000	Pin	1
28	G390-10008-000	Spring	1
29	5601-00952-000	Steel Ball	1
30	5309-00012-000	Washer	1
31	*	Back-up Washer	1
32	*	O-ring	1
33	N/A	Cylinder	1
34	N/A	C-clip	1
35	N/A	Ram	1
36	*	Back-up Washer	1
37	*	O-ring	1
38	N/A	Set Screw	2
39	N/A	Steel Ball	1
40	N/A	Ram Nut	1
41	*	O-ring	1
42	*	Back-up Washer	1
43	N/A	C-clip	1
44	N/A	Ram Plunger Guider	1
45	N/A	C-clip	1
46	N/A	Ram Plunger	1
47a	5905-00100-100	Plug, Rubber	2
47b	5905-00100-001	Vent Plug	1
48	N/A	Reservoir	1
49	*	Back-up Washer	1
50	*	Seal	1

Item	Part No.	Description	Qty
51	*	O-ring	1
52	N/A	Top Nut	1
53	*	Back-up Washer	1
54	*	O-ring	1
55	*	O-ring	1
56	*	Back-up Washer	1
57	5309-00008-000	Washer	1
58	G390-17001-000	Throttle	1
59	G390-17002-000	Spring	1
60	5601-00476-000	Steel Ball	1
61	*	O-ring	1
62	*	Back-up Washer	1
63	G150-04301-000	Release Valve Nut	1
64	*	O-ring	1
65	*	O-ring	1
66	G150-04002-000	Spring	1
67	G150-04001-000	Release Valve	1
68	5305-00009-000	E-clip	1
69	N/A	Capscrew, M10x40	1
70	N/A	Locknut, M10	1
71	G251-00007-000	Handle Grip	2
72	G390-20000-000	Handle	1
73	G390-30000-000	Foot Pedal	1
74	T250-05000-000	Caster	2
75	T250-01000-000	Base Half	2
76	5103-12070-000	Capscrew, M12x70	4
77	5303-00012-000	Lock Washer	4
78	G390-50000-000	Caster w/Break	2
79	5307-00012-000	Washer	4
80	5206-00012-000	Locknut, M12	4
81	G390-40000-000	Saddle Assembly	1
82	T250-00007-000	Bushing	2
83	T250-08000-000	Screw Assembly	2
84	N/A	Spring Pin	2
85	N/A	Washer	8
86	N/A	Spindle	2
87	N/A	Connect Board	1
88	5102-10016-000	Capscrew, M10x16	3
89	N/A	Pin	2
90	N/A	Washer	4
91	N/A	Spindle	2
92	N/A	Adjust Board	1
93	N/A	Washer	8
94	N/A	Nut, M10	2
95	5202-00010-000	Nut, M10	4
96	T250-00006-000	Bracket Bar	4
97	T250-04000-000	Bracket	4
98	5207-00012-000	Wing Nut, M12	4
99	5107-12040-000	Phillips Screw, M12x40	4
100	G390-42000-000	Saddle Plate	1
101	G390-41000-000	Nylon Strap Assy.	1
102	G390-90009-K01	Capscrew Kit (4 sets)	-
(*)	G3900S-103	Repair Kit	1

ONE YEAR LIMITED WARRANTY

For a period of one (1) year from date of purchase, **ATD Tools Inc.** will repair or replace, at its option, without charge, any of its products which fails due to a defect in material or workmanship under normal usage. This limited warranty is a consumer's exclusive remedy.

Performance of any obligation under this warranty may be obtained by returning the warranted product, freight prepaid, to **ATD Tools Inc.** Warranty Service Department, 160 Enterprise Drive, Wentzville, MO 63385.

Except where such limitations and exclusions are specifically prohibited by applicable law, (1) THE CONSUMER'S SOLE AND EXCLUSIVE REMEDY SHALL BE THE REPAIR OR REPLACEMENT OF DEFECTIVE PRODUCTS AS DESCRIBED ABOVE. (2) **ATD Tools Inc.** SHALL NOT BE LIABLE FOR ANY CONSEQUENTIAL OR INCIDENTAL DAMAGE OR LOSS WHATSOEVER. (3) ANY IMPLIED WARRANTIES, INCLUDING WITHOUT LIMITATION THE IMPLIED WARRANTIES OF MERCHANTABILITY AND FITNESS FOR A PARTICULAR PURPOSE, SHALL BE LIMITED TO ONE YEAR, OTHERWISE THE REPAIR, REPLACEMENT OR REFUND AS PROVIDED UNDER THIS EXPRESS LIMITED WARRANTY IS THE EXCLUSIVE REMEDY OF THE CONSUMER, AND IS PROVIDED IN LIEU OF ALL OTHER WARRANTIES, EXPRESS OR IMPLIED. (4) ANY MODIFICATION, ALTERATION, ABUSE, UNAUTHORIZED SERVICE OR ORNAMENTAL DESIGN VOIDS THIS WARRANTY AND IS NOT COVERED BY THIS WARRANTY.

Some states do not allow limitations on how long an implied warranty lasts, so the above limitation may not apply to you. Some states do not allow the exclusion or limitation of incidental or consequential damages, so the above limitation or exclusion may not apply to you. This warranty gives you specific legal rights, and you may also have other rights which vary from state to state.